

Thrust Ball Bearings

Bearing No. : **NACHI 53208U**

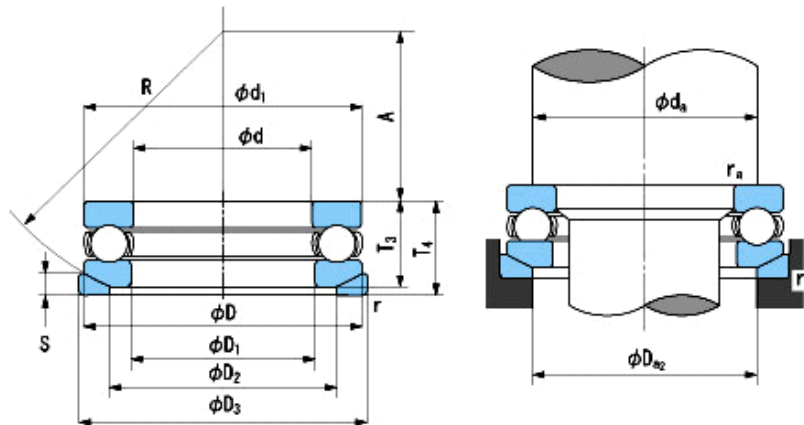
■ Bearing Type

■ Clearance

■ Tolerance Class

Dimensions

d = 40	0 -0.012
D = 68	0 -0.019
T3 = 20.3	
T4 = 23	
r = 1~2.2	
(Radial Direction and Axial Direction)	
d1(max) = 68	
D1(min) = 42	
D2 = 55	
D3 = 72	
S = 7	
R = 56	
A = 28.5	



Dimensions
da(min) = 57
Da2(max) = 55
ra(max) = 1
Mass = 0.34 kg

Basic Dynamic Load Rating Ca :	47,000 N
Basic Static Load Rating Coa :	98,500 N
Limiting Speed ;	
Grease Lubrication :	2,700 min ⁻¹
Oil Lubrication :	4,100 min ⁻¹

	INNER RING	OUTER RING
O.D.Surface Runout with Side :		-
Axial Runout with Bore :	-	
Axial Runout with Raceway :	-	
Width Variation :	-	
Radial Runout :	-	